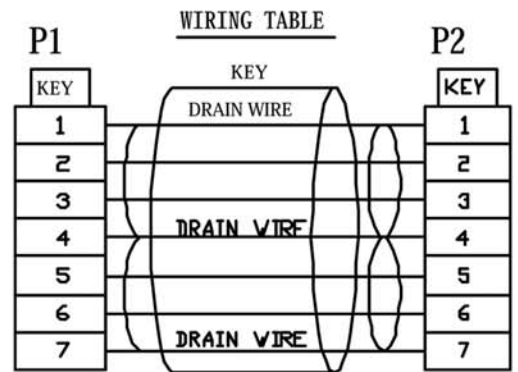


**NOTE:**

1. CABLE:  
 UL2725 80°C 30V [26AWG(1/0.404)\*2F  
 +AL/MY+DRAIN WIRE(1/0.32)\*2]TIN  
 INS: FOAM-PE OD:  $\phi 1.1 \pm 0.05$ mm  
 PVC JACKET OD:  $\phi (2.2 \pm 0.1) * (7.8 \pm 0.2)$ mm COLOR: RED (PANTONE 200C)
2. CONNECTOR:  
 P1: SATA I 7P L TYPE PBT BLACK G/F W/METAL SHELL  
 P2: SATA 7P GOLD FLASH CONTACT, W/METAL LATCH
3. HOOD: MOLDED TYPE, PVC 45P, COLOR: BLACK(NK-K01)
4. CABLE ASS'Y ELECTRICAL TEST:  
 4-1 100% OPEN SHORT & MIS WIRE TEST  
 4-2 CONTACT RESISTANCE 3 OHM MAX  
 4-3 INSULATION RESISTANCE 10M OHM MIN  
 4-4 HI-POT DC300V/0.01SEC.
5. PACKING: SEE P-0039 REV.C PACKING DRAWING  
 (BINDING SIZE MUST BE SMALLER THAN BLISTER)  
 EAN CODE: 4016032180197.
6. BLISTER SIZE: DB VP4.



<i>ITEM NO</i>	<b>AK-SATA-SB1-R</b>
<i>TITLE</i>	Serial ATA 150 1 PORT Bracket, Slot Bracket W/1 SATA Port, .5M

**ASSMANN**  
 Electronics, Inc.

1840 W. Drake Drive, Suite 101 - Tempe, AZ 85283  
 Toll Free: 1-877-277-6266 Email: info@usa-assmann.com

THIS DRAWING IS UNPUBLISHED  
 © Copyright 2008 by Assmann Electronic Components  
 All International Rights Reserved